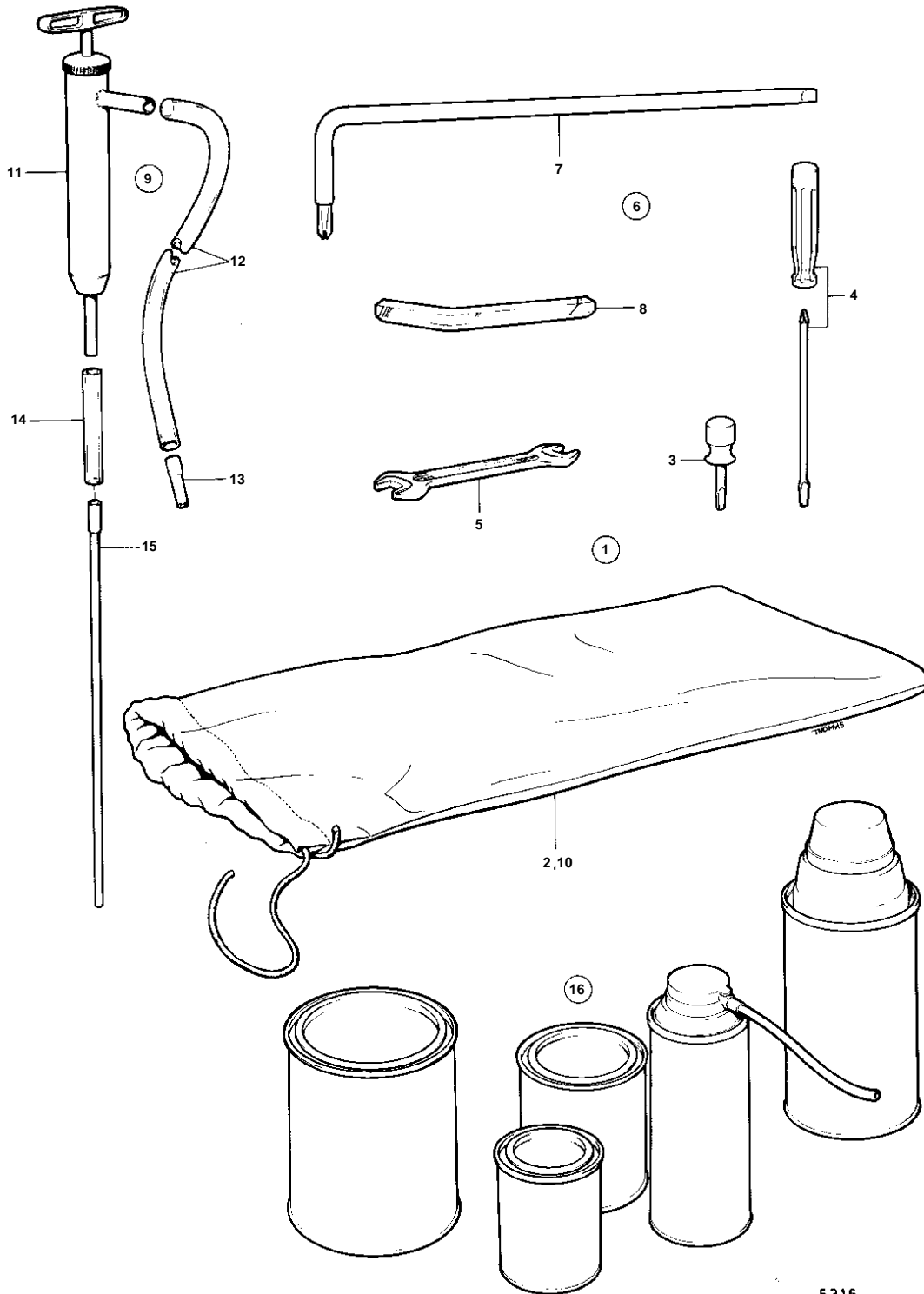


MD40A,TMD40A,TMD40B,TMD40C,AQD40A



MD40A,TMD40A,TMD40B,TMD40C,AQD40A

REF	PART NO.	QTY	DESCRIPTION	SEE SEC.	NOTES
1	844636	1	Tool kit		
2	844642	1	· Tool bag		
3	841044	1	· Screwdriver		
4	963929	1	· Screwdriver		
5	843929	1	· Open-end wrench		8 - 10MM
	210056	1	· Open-end wrench		11 - 12MM
	841252	1	· Open-end wrench		13 - 16MM
	962053	1	· Open-end wrench		13 - 17MM
	962060	1	· Open-end wrench		14 - 17MM
	962054	1	· Open-end wrench		19 - 22MM
6	841045	1	Tool kit		
7	834980	1	· Screwdriver		
8	914675	1	· Allen wrench		1/4"
	914677	1	· Allen wrench		3/8"
9	875117	1	Oil bilge pump		
10	809863	1	· Bearing		
11		1	· OIL BILGE PUMP		
12	806282	1	· Hose		L = 1000 MM
13	841046	X	· Hose		
14	941405	X	· Hose		L = 100 MM
15	835964	X	· Tube		L = 711 MM
16		X	CHEMICALS	090-3000	